

Audio System Requirements

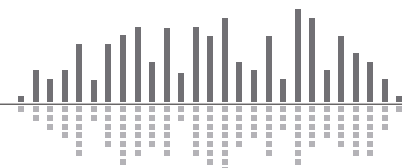
1. 6 zones, each with BGM (background music) and adjustable source selection/volume control.
2. Support for mobile device control of source selection/volume control in each zone.
3. Programmable automatic page over music “ducking” of BGM in all zones.
4. Ambient noise controlled automatic music volume adjustment in bar.
5. Wall mount source selection/volume control for hostess, bar and kitchen.
6. Audio system MUTE ALL function triggered from a fire/emergency alarm system.
7. Programmable automatic BGM source in bar for jukebox and DJ.
8. Automatic preset recall for source selection/volume control at start and end of business hours.

Symetrix Components

Qty	Description	Notes
1	Zone Mix 761	12 mic/line in, 6 line out DSP.
1	ARC-2e	Programmable wall mount control for source, volume and preset control.
2	ARC-SW4e	Programmable 4 push-button wall panel.
3	ARC-K1e	Dual-rotary Encoder Wall Panel controller.
4	ARC-EX4e	4 push-button wall panel combined with ARC-K1e to create Modular ARC.
1	ARC-WEB	Control interface running on a mobile or desktop device to control audio via an embedded web server running on the Zone Mix 761.
1	Zone Mix 761 Software	Windows software - design & configure system.

Solution Overview

Requirement	Notes
BGM selection and volume control	An ARC-SW4e and Modular ARC (ARC-K1e + ARC-EX4e) installed at hostess station and bar for source/volume control. Modular ARC (ARC-K1e + (2) ARC-EX4e's) installed in kitchen for source/volume control. ARC-2e installed in manager's office for source, volume and preset control.
Two paging microphones	The microphones from hostess and bar are connected to the analog mic inputs of the Zone Mix 761.
Fire/emergency audio MUTE ALL	Third-party alarm system logic wired to a Zone Mix 761 control input triggers MUTE ALL state.
Ambient level control of music in bar	The Zone Mix 761 is programmed with Symetrix proprietary SPL algorithms. A ceiling microphone is used to sense the ambient noise of the room. As the ambient noise increases the program level is turned up as well. As the ambient noise level decreases the program level will decrease.
Mobile BYOD browser-based control of music sources and volume in each zone	The Zone Mix 761 embedded ARC-WEB server is programmed from the Zone Mix 761 software to control source selection, volume control and preset recall in parallel with the ARC-2e, ARC-SW4e and Modular ARC's.
Programmable automatic BGM source in bar for jukebox and DJ	Source 2 for bar is programmed to automatically duck the main BGM source when jukebox or DJ are playing audio.
Automatic ducking	The Zone Mix 761 is programmed with duckers in every zone when page mics are active.
Auto mixing	A separate Gain-Sharing auto mixer is employed for the microphone signals being sent to the far end and also for local voice lift as required.



Digital Signal Processor - Zone Mix 761



- 4 mic/line inputs, 8 audio/media inputs and 6 analog line outputs.
- Paging into six zones from three paging stations, plus emergency page.
- Automatic ducking and priority arbitration in each zone.
- Industry leading audio performance specifications.

Push-button Wall Panel Controller - ARC-2e



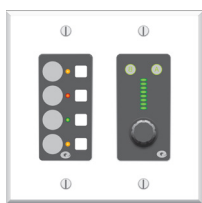
- 8 character alpha-numeric display supports scrolling of up to 31 characters.
- Supports up to 24 menus for volume, mute, source selection and preset recall.
- Each menu supports up to 16 controller settings.

Push-button Wall Panel Controller - ARC-SW4e



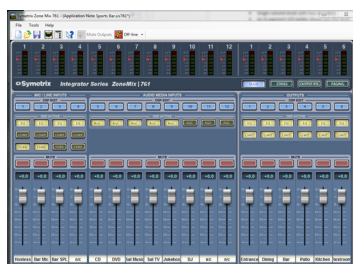
- Modular user wall panel with four buttons that are programmed as momentary, latched or radio.
- Well-suited for control of mute, source selection and presets.
- Tri-color LEDs provide user feedback. LEDs and buttons may be linked or programmed independently.

Push-button Wall Panel Controller - Modular ARC (ARC-K1e + ARC-EX4e)

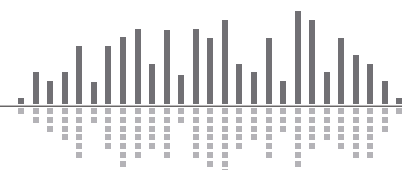


- Single volume knob with two encoders.
- An 8-segment LED ladder shows the volume level.
- Power and signal arrive and depart via CAT-5/6.
- Supports “idle” mode for light-sensitive environments.
- Modular user wall panel with four push-buttons that are programmable as momentary, latched or radio.
- Well-suited for control of mute, source selection and presets.
- Tri-color LEDs provide user feedback. LEDs and buttons may be linked or programmed independently.

Windows Design Program - Zone Mix 761



- Pre-designed GUI provides fast installations.
- Software connection wizard provides fast and easy linking to DSP hardware.
- External control wizard guides programming of multiple user control devices.

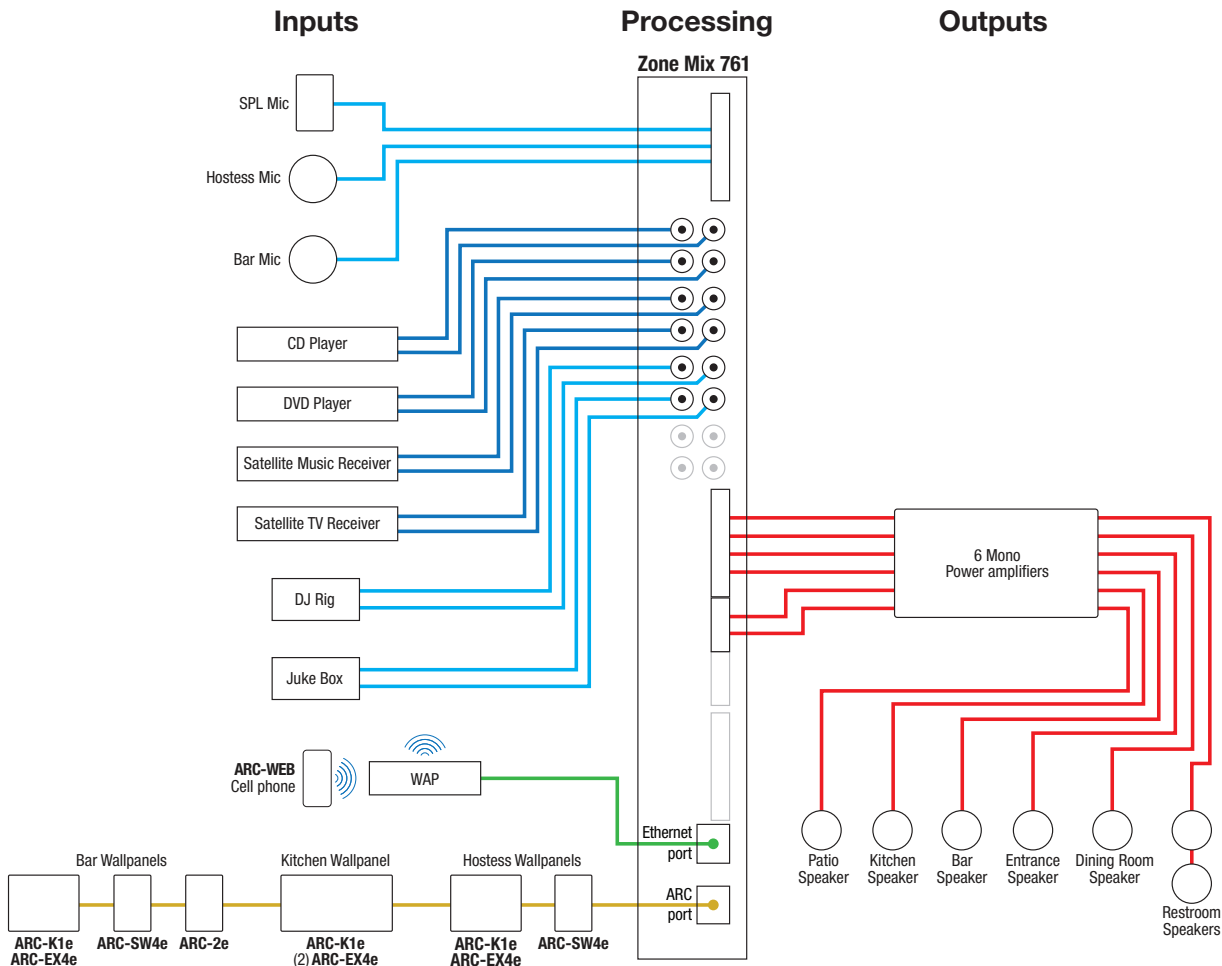


Browser Based Mobile or Desktop Control - ARC-WEB



- Use a web browser running on a mobile and desktop device to control audio via embedded web servers running on Edge, Radius, Prism and Jupiter DSP's.
- End users control volume, mute, source selection and other parameters of their sound systems using favorite browsers.
- Flexible and secure. Up to four users can be assigned a different ARC-WEB with unique privileges and security.
- Installation is simple. Just connect the DSP to a low cost wireless access point.
- Using a mobile device, management can roam between zones to adjust source and volume, matching the functionality of the local ARC wall panels in each zone.

System Hookup Diagram



Downloads and Links

[Sports Bar - Zone Mix 761 file](#)

[Sports Bar - System Hookup Diagram](#)

[Questions? / Comments? - Symetrix Tech Support](#)

